

**Snapak®**  
**CR, CPR, CPP**  
**Circuit Breakers**



# AIRPAX

**Applications:** Developed for the telecommunications market, the new Snapak® CR, CPR, CPP circuit breakers are the smallest UL489A listed circuit breakers on the market today.

**Specifications:**

- Maximum rated current / voltage:  
30A (80 V<sub>DC</sub>, 65V<sub>DC</sub>)
- Number of poles: 1 pole
- Operating temperature: -40°C to 85°C
- Short-circuit interrupt capacity:  
1000 amps, 65 V<sub>DC</sub>  
600 amps, 80 V<sub>DC</sub>
- Insulation resistance: At least 100 MΩ with  
500V<sub>DC</sub> megger
- Dielectric strength: V<sub>AC</sub> 50/60 Hz 1500V<sub>AC</sub> for  
1 minute, or 1800V<sub>AC</sub> for 1 second, leakage current  
1mA or less.
- Auxiliary switch ratings (resistive load): Silver  
contacts: 0.5A at 80V<sub>DC</sub>
- Vibration resistance: 98m/s<sup>2</sup> (10G)  
(Mil-STD-202, method 204, test condition A @ I<sub>n</sub>)
- Shock resistance: 735m/s<sup>2</sup> (75G)  
(Mil-STD-202, method 213, test condition I @ I<sub>n</sub>)
- Endurance: 1000 switching operations at rated  
current and voltage
- Approvals available: UL489A, CSA, VDE, CCC

**Overcurrent  
Protection for  
Telecommunication**

Providing protection from overcurrent conditions in an ultra-compact package, the Snapak® CR, CPR and CPP are available in single-pole rocker, push-to-reset, and push-pull configurations, respectively, each with auxiliary switch options.

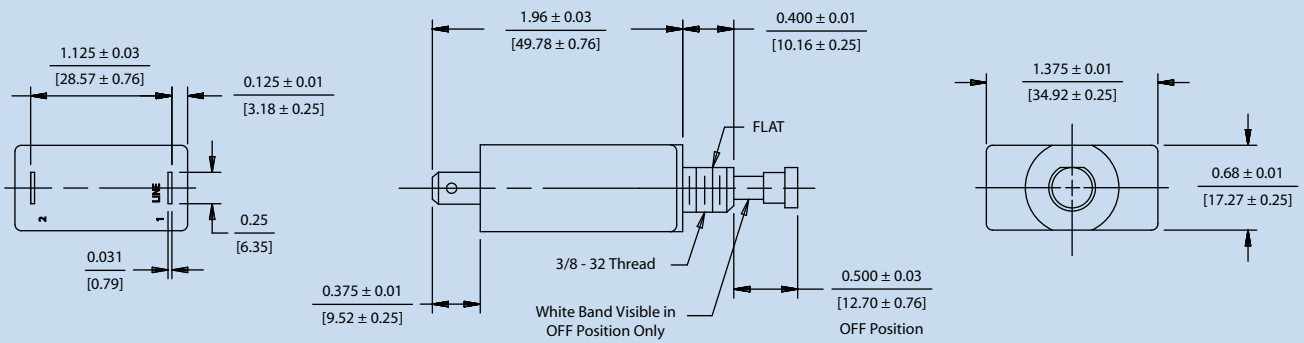
Please contact Airpax for assistance in applying the Snapak® CR, CPR, CPP circuit breakers to meet your telecommunications power protection needs.



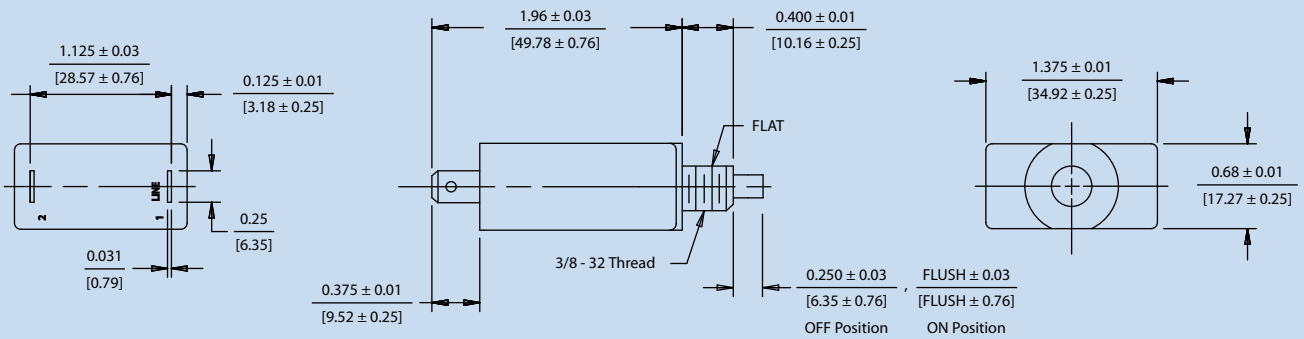
**AIRPAX**  
**www.airpax.net**

Airpax Corporation  
807 Woods Road  
Cambridge, MD 21613 USA  
Tel: 410.228.1500 Fax: 410.228.3456

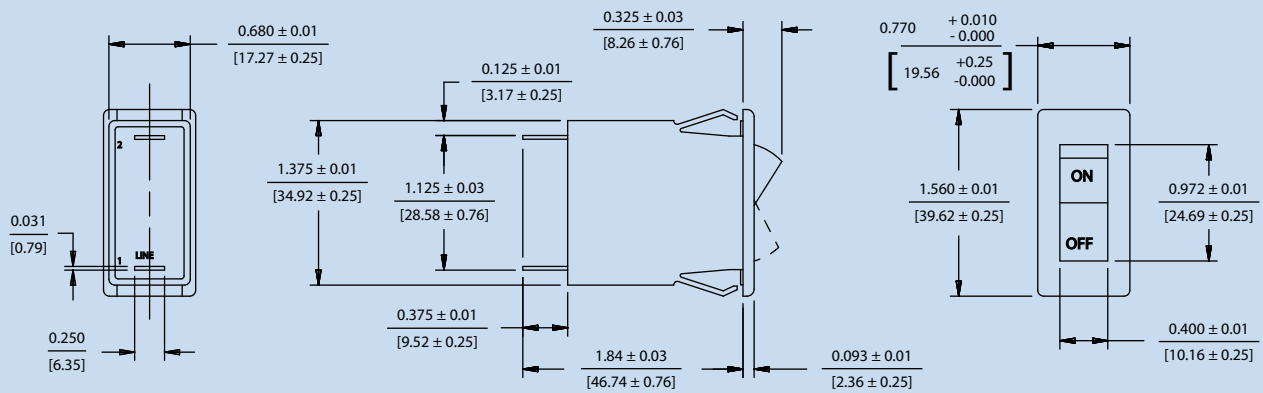
## Snapak® CPP:



## Snapak® CPR:



## Snapak® CR:



The products shown are a representative example of our offerings. Consult factory for full specifications.